

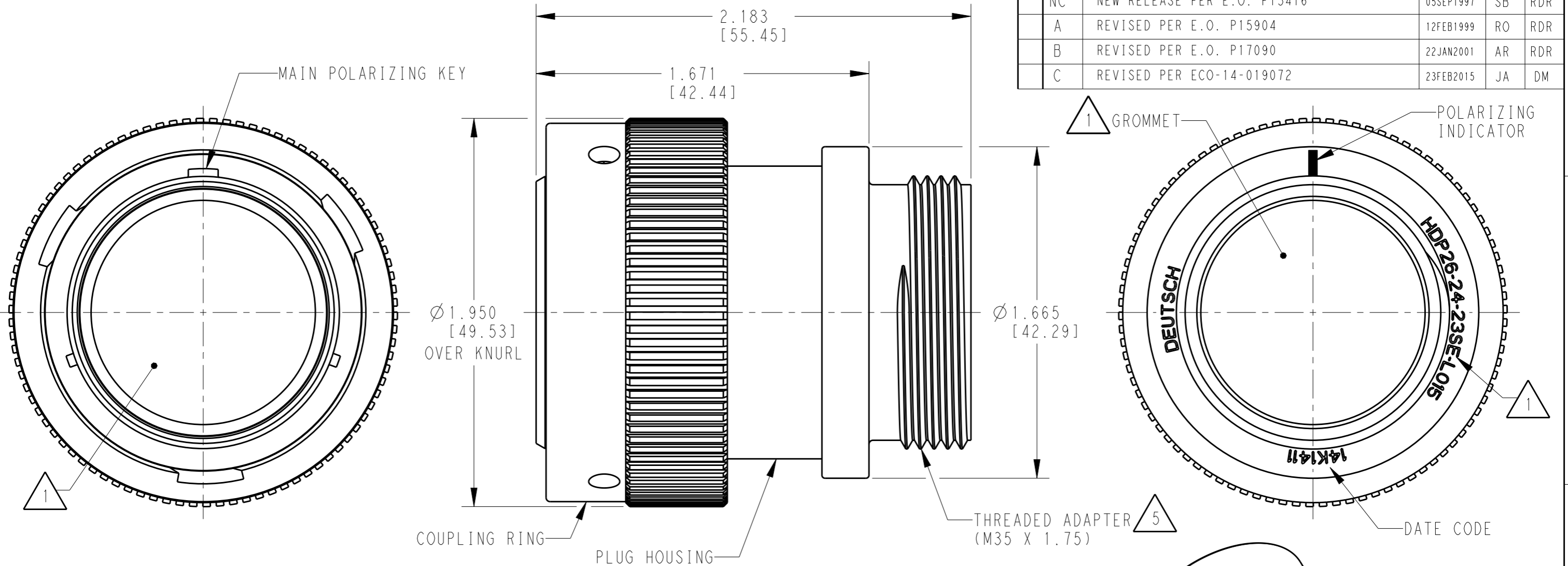
THIS DRAWING IS UNPUBLISHED
© COPYRIGHT 1999 BY TE CONNECTIVITY ALL RIGHTS RESERVED.

RELEASED FOR PUBLICATION 2015

LOC DIST

REVISIONS

P	LTR	DESCRIPTION	DATE	DWN	APVD
NC		NEW RELEASE PER E.O. P15416	05SEP1997	SB	RDR
A		REVISED PER E.O. P15904	12FEB1999	RO	RDR
B		REVISED PER E.O. P17090	22JAN2001	AR	RDR
C		REVISED PER ECO-14-019072	23FEB2015	JA	DM



6. PART MODIFICATION: THREADED ADAPTER

- 5 CONDUIT ADAPTER ACCEPTS EITHER TYPES:
 A. CONDUIT ADAPTER CAP NUT (CN21) AND SEAL RING (SRN21)
 B. BACKSHELL (M902-2243), COMPRESSION NUT (M902-2053), CABLE Ø .430-.570 [10.92-14.78]
 C. BACKSHELL (M902-2244), COMPRESSION NUT (M902-2054), CABLE Ø .570-710 [14.78-18.03]

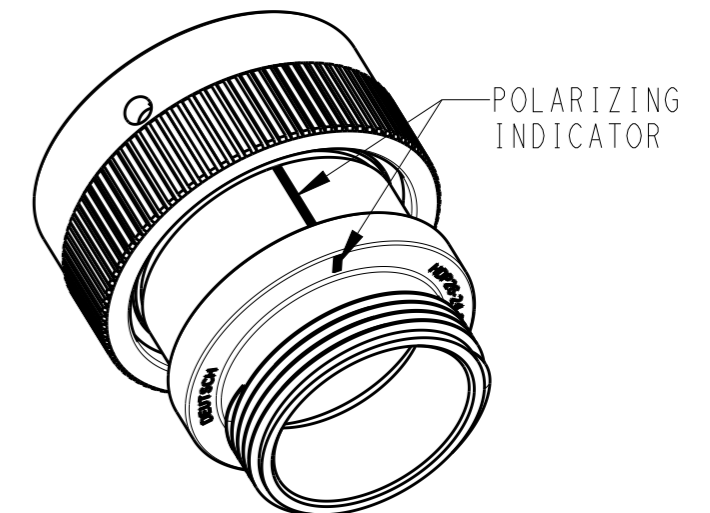
- 4 MATERIAL: PLUG HOUSING/COUPLING RING: PA66 GF10 (BLACK)
 CONDUIT ADAPTER: PA66 GF10 (GREEN, GRAY, BLUE)
 GROMMET: SILICONE (ORANGE-RED)

- 3 SEE 0425-021-0000 APPLICATION SPECIFICATION
 A. RECOMMENDED WIRE INSULATION RANGE
 B. CONTACT REMOVAL TOOLS

2. THIS PLUG MATES WITH HDP24-24XXP/SX-XXXX RECEPTACLE
X = SEAL TYPE (N,T,E)
XX = INSERT ARRANGEMENT
XXXX = MODIFICATION

- 1 SEE CUSTOMER DRAWING 0425-014-2400 FOR AVAILABLE INSERT ARRANGEMENTS AND PART NUMBERS.

NOTES:



SCALE 1:1

THIS DRAWING IS A CONTROLLED DOCUMENT.		DWN 19 JAN 1999 STEVE BEARD	TE Connectivity	
DIMENSIONS: INCHES [mm]		CHK 15 JAN 2001 STEVE BEARD		
TOLERANCES UNLESS OTHERWISE SPECIFIED:		APVD 15 JAN 2001 STEVE BEARD	NAME PLUG, COUPLING RING SIZE 24, -L015 MOD HDP SERIES	
0 PLC ± 1 PLC ± 2 PLC ± 3 PLC ±.015 [0.38] 4 PLC ± ANGLES ±0°30'0"		PRODUCT SPEC 0425-021-0000	SIZE A3	
MATERIAL 4		APPLICATION SPEC 3	CAGE CODE 4AFU8	DRAWING NO HDP26-24-XXP/SX-L015
FINISH N/A		WEIGHT	RESTRICTED TO	
		Customer Drawing	SCALE 2:1	SHEET 1 OF 1 REV C